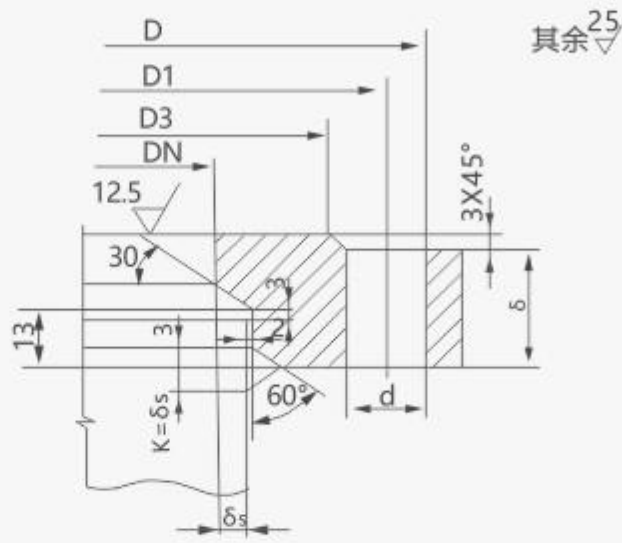
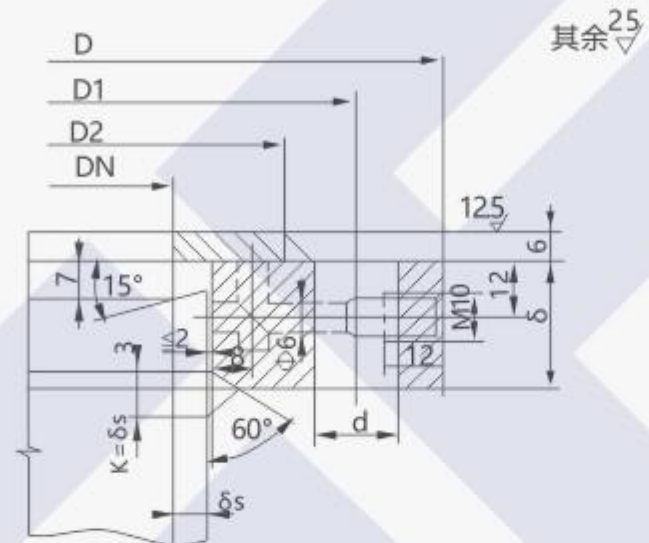


# 甲型平焊法兰

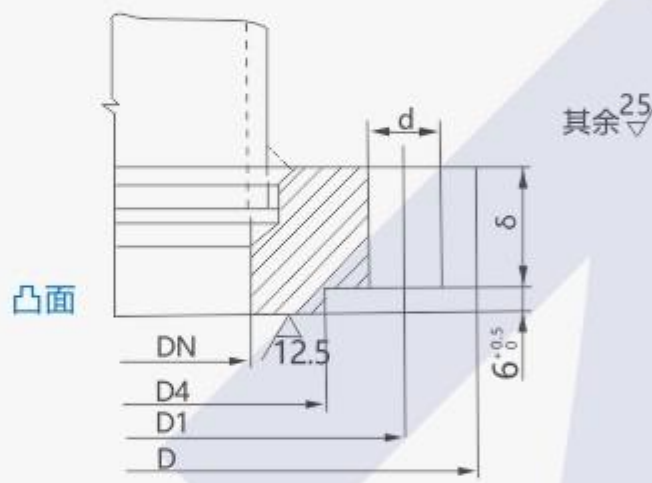
A-TYPE FLAT WELDING FLANGE



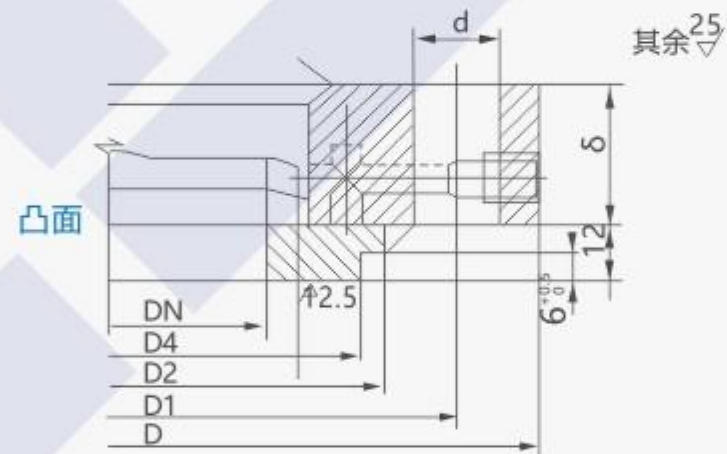
平密封面法兰



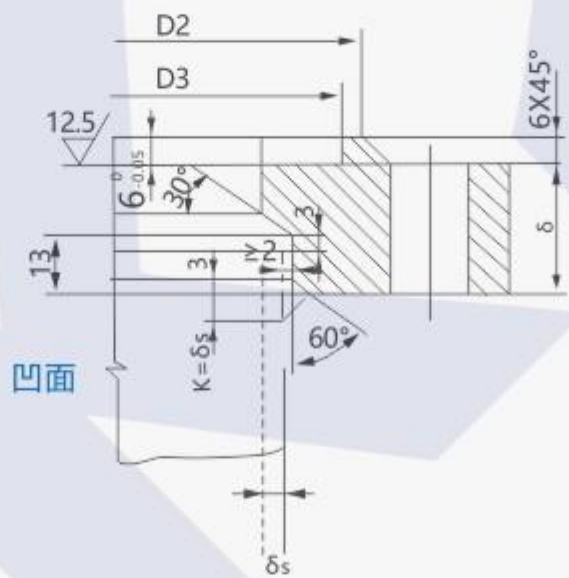
衬环平密封面  
NB/T 47021-2012(JB/T 4701)



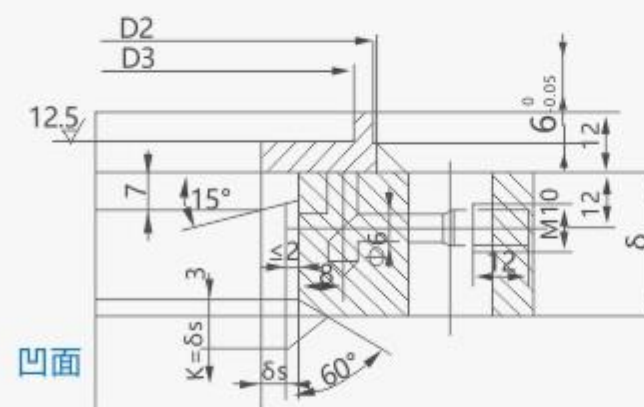
凸面



凸面



凹凸密封面法兰



凹面

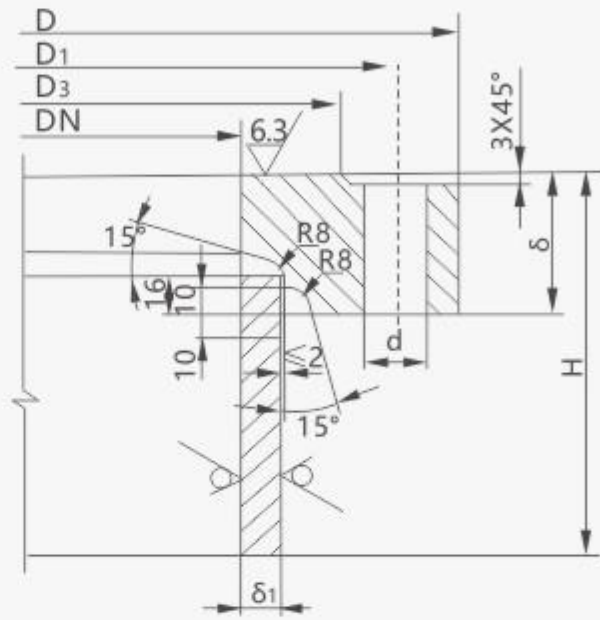
衬环凹凸密封面  
NB/T 47021-2012(JB/T 4701)

### 甲型平焊法兰 (NB/T 47021-2010) A-TYPE FLAT WELDING FLANGE

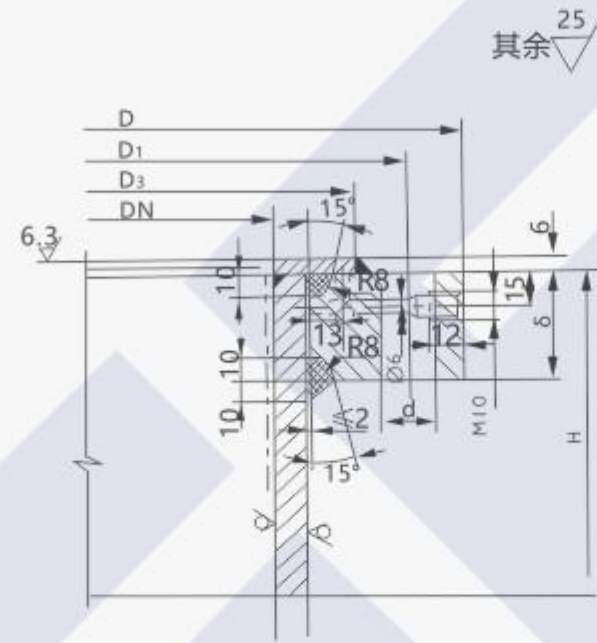
(mm)

| 公称直径<br>DN | 法兰尺寸 |      |      |      |      |    |    | 螺柱  |    |
|------------|------|------|------|------|------|----|----|-----|----|
|            | D    | D1   | D2   | D3   | D4   | δ  | d  | 规格  | 数量 |
| PN=0.25MPa |      |      |      |      |      |    |    |     |    |
| 700        | 815  | 780  | 750  | 740  | 737  | 36 | 18 | M16 | 28 |
| 800        | 915  | 880  | 850  | 840  | 837  | 36 | 18 | M16 | 32 |
| 900        | 1015 | 980  | 950  | 940  | 937  | 40 | 18 | M16 | 32 |
| 1000       | 1130 | 1090 | 1055 | 1045 | 1042 | 40 | 23 | M20 | 32 |
| 1100       | 1230 | 1190 | 1155 | 1141 | 1138 | 40 | 23 | M20 | 32 |
| 1200       | 1330 | 1290 | 1255 | 1241 | 1238 | 44 | 23 | M20 | 36 |
| 1300       | 1430 | 1390 | 1355 | 1341 | 1338 | 46 | 23 | M20 | 40 |
| 1400       | 1530 | 1490 | 1455 | 1441 | 1438 | 46 | 23 | M20 | 40 |
| 1500       | 1630 | 1590 | 1555 | 1541 | 1538 | 48 | 23 | M20 | 44 |
| 1600       | 1730 | 1690 | 1655 | 1641 | 1638 | 50 | 23 | M20 | 48 |
| 1700       | 1830 | 1790 | 1755 | 1741 | 1738 | 52 | 23 | M20 | 52 |
| 1800       | 1930 | 1890 | 1855 | 1841 | 1838 | 55 | 23 | M20 | 52 |
| 1900       | 2030 | 1990 | 1955 | 1941 | 1938 | 56 | 23 | M20 | 56 |
| 2000       | 2130 | 2090 | 2055 | 2041 | 2038 | 60 | 23 | M20 | 60 |
| PN=0.6MPa  |      |      |      |      |      |    |    |     |    |
| 450        | 565  | 530  | 500  | 490  | 487  | 30 | 18 | M16 | 20 |
| 500        | 615  | 580  | 550  | 540  | 537  | 30 | 18 | M16 | 20 |
| 550        | 665  | 630  | 600  | 590  | 587  | 32 | 18 | M16 | 24 |
| 600        | 715  | 680  | 650  | 640  | 637  | 32 | 18 | M16 | 24 |
| 650        | 765  | 730  | 700  | 690  | 687  | 36 | 18 | M16 | 28 |
| 700        | 830  | 790  | 755  | 745  | 742  | 36 | 23 | M20 | 24 |
| 800        | 930  | 890  | 855  | 845  | 842  | 40 | 23 | M20 | 24 |
| 900        | 1030 | 990  | 955  | 945  | 942  | 44 | 23 | M20 | 32 |
| 1000       | 1130 | 1090 | 1055 | 1045 | 1042 | 48 | 23 | M20 | 36 |
| 1100       | 1230 | 1190 | 1155 | 1141 | 1138 | 55 | 23 | M20 | 44 |
| 1200       | 1330 | 1290 | 1255 | 1241 | 1238 | 60 | 23 | M20 | 52 |
| PN=1.0MPa  |      |      |      |      |      |    |    |     |    |
| 300        | 415  | 380  | 350  | 340  | 337  | 26 | 18 | M16 | 16 |
| 350        | 465  | 430  | 400  | 390  | 387  | 26 | 18 | M16 | 16 |
| 400        | 515  | 480  | 450  | 440  | 437  | 30 | 18 | M16 | 20 |
| 450        | 565  | 530  | 500  | 490  | 487  | 34 | 18 | M16 | 24 |
| 500        | 630  | 590  | 555  | 545  | 542  | 34 | 23 | M20 | 20 |
| 550        | 680  | 640  | 605  | 595  | 592  | 38 | 23 | M20 | 24 |
| 600        | 730  | 690  | 655  | 645  | 642  | 40 | 23 | M20 | 24 |
| 650        | 780  | 740  | 705  | 695  | 692  | 44 | 23 | M20 | 28 |
| 700        | 830  | 790  | 755  | 745  | 742  | 46 | 23 | M20 | 32 |
| 800        | 930  | 890  | 855  | 845  | 842  | 54 | 23 | M20 | 40 |
| 900        | 1030 | 990  | 955  | 945  | 942  | 60 | 23 | M20 | 48 |
| PN=1.6MPa  |      |      |      |      |      |    |    |     |    |
| 300        | 430  | 390  | 355  | 345  | 312  | 30 | 23 | M20 | 16 |
| 350        | 480  | 440  | 405  | 395  | 392  | 32 | 23 | M20 | 16 |
| 400        | 530  | 490  | 455  | 445  | 442  | 36 | 23 | M20 | 20 |
| 450        | 580  | 540  | 505  | 495  | 492  | 40 | 23 | M20 | 24 |
| 500        | 630  | 590  | 555  | 545  | 542  | 44 | 23 | M20 | 28 |
| 550        | 680  | 640  | 605  | 595  | 592  | 50 | 23 | M20 | 36 |
| 600        | 730  | 690  | 655  | 645  | 642  | 54 | 23 | M20 | 40 |
| 650        | 780  | 740  | 705  | 695  | 692  | 58 | 23 | M20 | 44 |

乙型平焊法兰 NB/T47022-2012(JB/T 4702-2010)  
TYPE B FLAT WELDING FLANGE

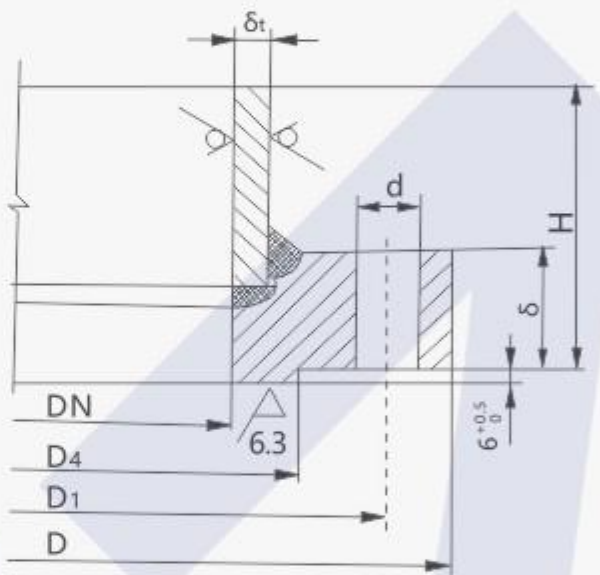


平密封面法兰

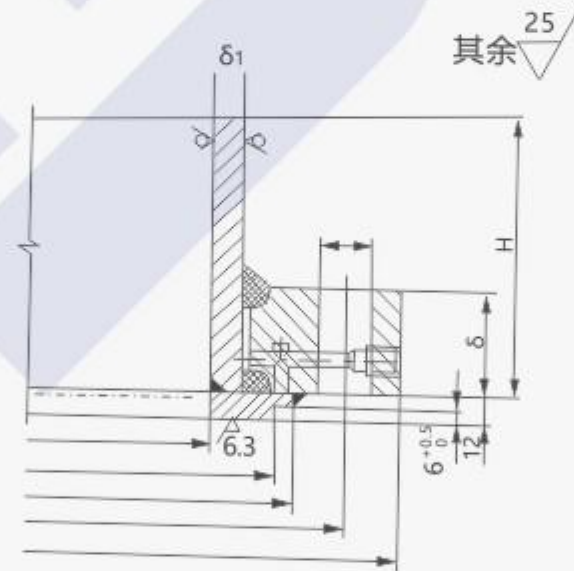


衬环平密封法兰  
NB/T 47022-2012(JB/T 4702)

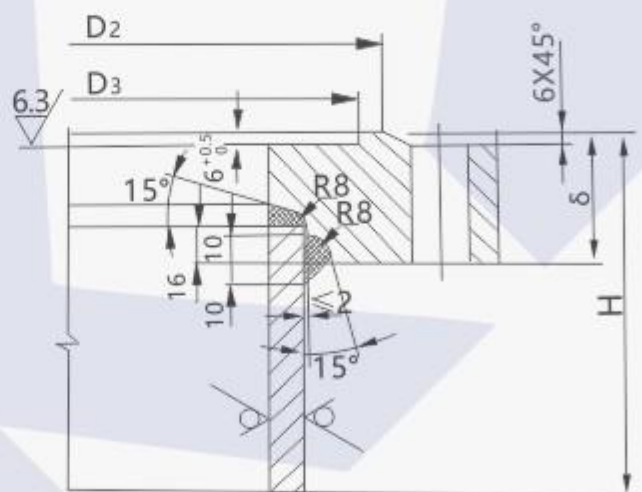
凸面



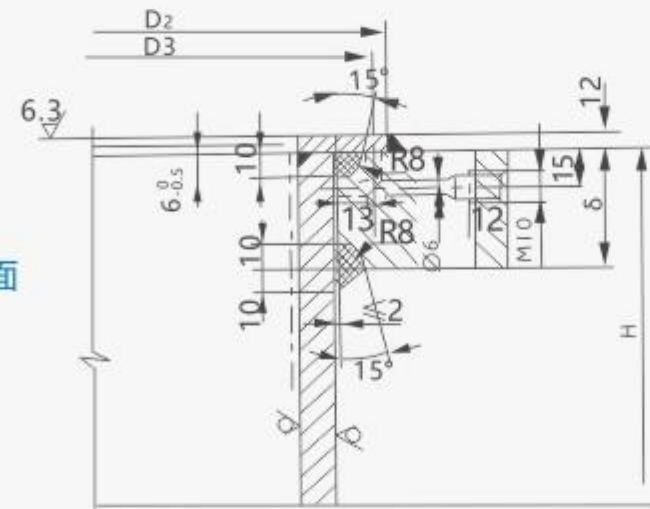
凸面



凹面



凹面



凹凸密封面法兰

衬环凹凸密封面  
NB/T 47022-2012(JB/T 4702)

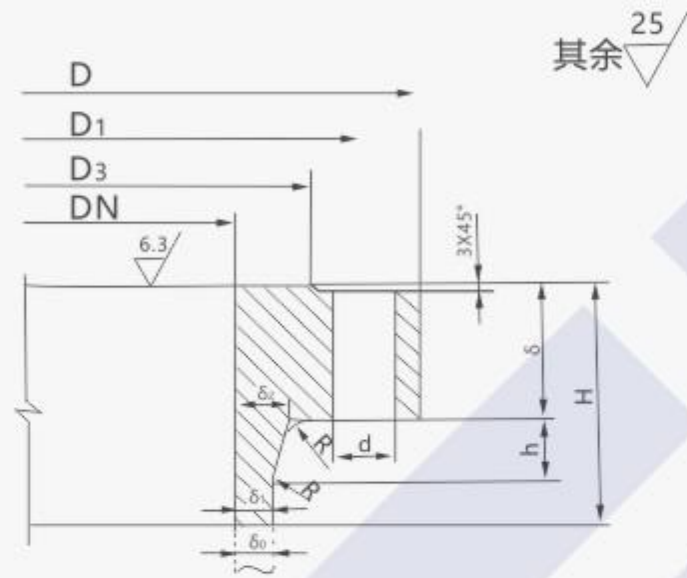
## 乙型平焊法兰尺寸 (NB/T 47022-2012)

TYPE B FLAT WELDING FLANGE SIZE (NB/T 47022-2012)

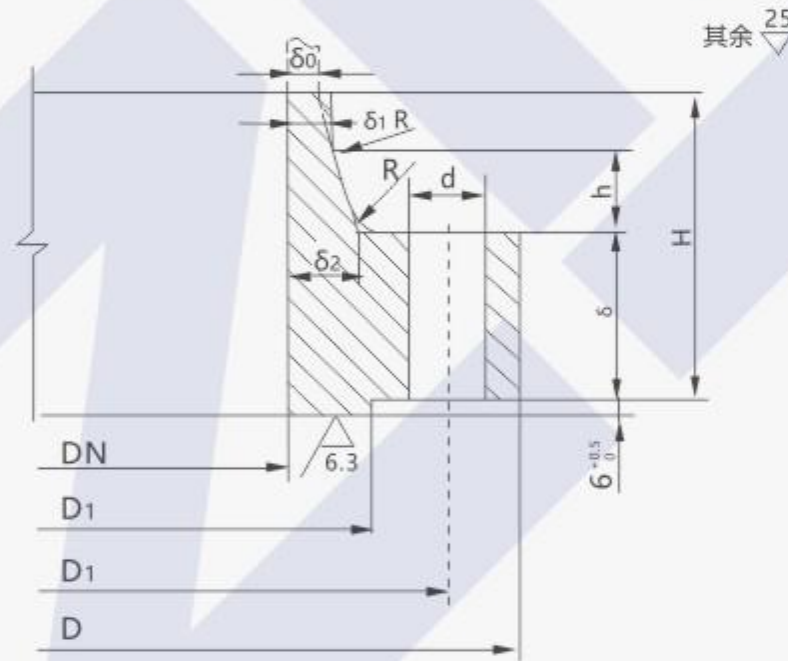
(mm)

| 公称直径<br>DN | 法兰尺寸 |      |      |      |      |     |     |                |    |                |    | 螺柱  |    |
|------------|------|------|------|------|------|-----|-----|----------------|----|----------------|----|-----|----|
|            | D    | D1   | D2   | D3   | D4   | δ   | H   | δ <sub>1</sub> | a  | a <sub>1</sub> | d  | 规格  | 数量 |
| PN=0.25MPa |      |      |      |      |      |     |     |                |    |                |    |     |    |
| 2600       | 2760 | 2715 | 2676 | 2656 | 2653 | 96  | 345 | 16             | 21 | 18             | 27 | M24 | 72 |
| 2800       | 2960 | 2915 | 2876 | 2856 | 2853 | 102 | 350 | 16             | 21 | 18             | 27 | M24 | 80 |
| 3000       | 3160 | 3115 | 3076 | 3056 | 3053 | 104 | 355 | 16             | 21 | 18             | 27 | M24 | 84 |
| PN=0.6MPa  |      |      |      |      |      |     |     |                |    |                |    |     |    |
| 1300       | 1460 | 1415 | 1376 | 1356 | 1353 | 70  | 270 | 16             | 21 | 18             | 27 | M24 | 36 |
| 1400       | 1560 | 1515 | 1476 | 1456 | 1453 | 72  | 270 | 16             | 21 | 18             | 27 | M24 | 40 |
| 1500       | 1660 | 1615 | 1576 | 1556 | 1553 | 74  | 270 | 16             | 21 | 18             | 27 | M24 | 40 |
| 1600       | 1760 | 1715 | 1676 | 1656 | 1653 | 76  | 275 | 16             | 21 | 18             | 27 | M24 | 44 |
| 1700       | 1860 | 1815 | 1776 | 1756 | 1753 | 78  | 280 | 16             | 21 | 18             | 27 | M24 | 48 |
| 1800       | 1960 | 1915 | 1876 | 1856 | 1853 | 80  | 280 | 16             | 21 | 18             | 27 | M24 | 52 |
| 1900       | 2060 | 2015 | 1976 | 1956 | 1953 | 84  | 285 | 16             | 21 | 18             | 27 | M24 | 56 |
| 2000       | 2160 | 2115 | 2076 | 2056 | 2053 | 87  | 285 | 16             | 21 | 18             | 27 | M24 | 60 |
| 2200       | 2360 | 2315 | 2276 | 2256 | 2253 | 90  | 340 | 16             | 21 | 18             | 27 | M24 | 64 |
| 2400       | 2560 | 2515 | 2476 | 2456 | 2453 | 92  | 340 | 16             | 21 | 18             | 27 | M24 | 68 |
| PN=1.0MPa  |      |      |      |      |      |     |     |                |    |                |    |     |    |
| 100        | 1140 | 1100 | 1065 | 1055 | 1052 | 62  | 260 | 12             | 17 | 14             | 23 | M20 | 40 |
| 1100       | 1260 | 1215 | 1176 | 1156 | 1153 | 64  | 265 | 16             | 21 | 18             | 27 | M24 | 32 |
| 1200       | 1360 | 1315 | 1276 | 1256 | 1253 | 66  | 265 | 16             | 21 | 18             | 27 | M24 | 36 |
| 1300       | 1460 | 1415 | 1376 | 1356 | 1353 | 70  | 270 | 16             | 21 | 18             | 27 | M24 | 40 |
| 1400       | 1560 | 1515 | 1476 | 1456 | 1453 | 74  | 270 | 16             | 21 | 18             | 27 | M24 | 44 |
| 1500       | 1660 | 1615 | 1576 | 1556 | 1553 | 78  | 275 | 16             | 21 | 18             | 27 | M24 | 48 |
| 1600       | 1760 | 1715 | 1676 | 1656 | 1653 | 82  | 280 | 16             | 21 | 18             | 27 | M24 | 52 |
| 1700       | 1860 | 1815 | 1776 | 1756 | 1753 | 88  | 280 | 16             | 21 | 18             | 27 | M24 | 56 |
| 1800       | 1960 | 1915 | 1876 | 1856 | 1853 | 94  | 290 | 16             | 21 | 18             | 27 | M24 | 60 |
| PN=1.6MPa  |      |      |      |      |      |     |     |                |    |                |    |     |    |
| 700        | 860  | 815  | 776  | 766  | 763  | 46  | 200 | 16             | 21 | 18             | 27 | M24 | 24 |
| 800        | 960  | 915  | 876  | 866  | 863  | 48  | 200 | 16             | 21 | 18             | 27 | M24 | 24 |
| 900        | 1060 | 1015 | 976  | 966  | 963  | 56  | 205 | 16             | 21 | 18             | 27 | M24 | 28 |
| 1000       | 1160 | 1115 | 1076 | 1066 | 1063 | 66  | 260 | 16             | 21 | 18             | 27 | M24 | 32 |
| 1100       | 1260 | 1215 | 1176 | 1156 | 1153 | 76  | 270 | 16             | 21 | 18             | 27 | M24 | 36 |
| 1200       | 1360 | 1315 | 1276 | 1256 | 1253 | 85  | 280 | 16             | 21 | 18             | 27 | M24 | 40 |
| 1300       | 1460 | 1415 | 1376 | 1356 | 1353 | 94  | 290 | 16             | 21 | 18             | 27 | M24 | 44 |
| 1400       | 1560 | 1515 | 1476 | 1456 | 1453 | 103 | 295 | 16             | 21 | 18             | 27 | M24 | 52 |

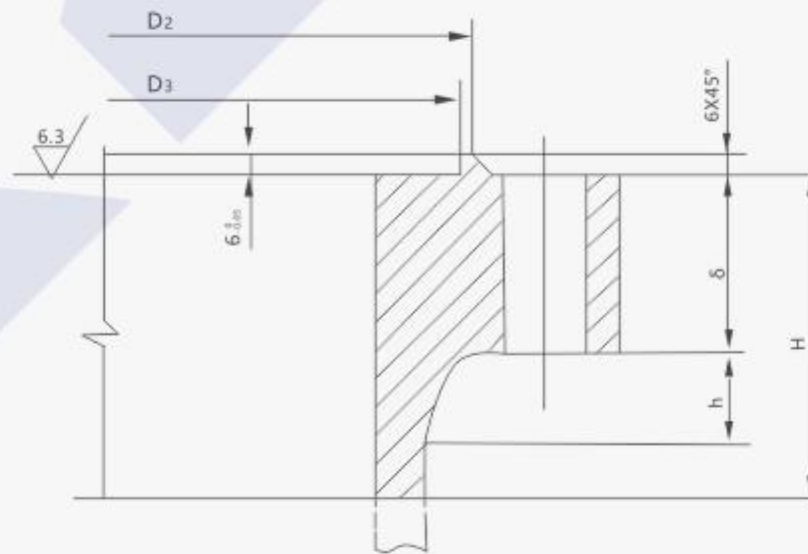
长颈对焊法兰 NB/T47023-2012(JB/T 4703-2000)  
LONG NECK BUTT WELDING FLANGE



平密封面法兰



凸面



凹面

凹凸密封面法兰

长颈对焊法兰尺寸(JB/T4703-2000)

(mm)

| 公称直径<br>DN | 法兰尺寸 |      |      |      |      |     |     |    |    |    |                |                |    |    | 螺柱  |    | 对接筒体 |
|------------|------|------|------|------|------|-----|-----|----|----|----|----------------|----------------|----|----|-----|----|------|
|            | D    | D1   | D2   | D3   | D4   | δ   | H   | h  | a  | a1 | δ <sub>1</sub> | δ <sub>2</sub> | R  | d  | 规格  | 数量 | 最小厚度 |
| PN=0.6MPa  |      |      |      |      |      |     |     |    |    |    |                |                |    |    |     |    |      |
| 1300       | 1460 | 1415 | 1376 | 1356 | 1353 | 60  | 125 | 35 | 21 | 18 | 16             | 26             | 12 | 27 | M24 | 40 | 12   |
| 1400       | 1560 | 1515 | 1476 | 1456 | 1453 | 62  | 135 | 40 | 21 | 18 | 16             | 26             | 12 | 27 | M24 | 44 | 12   |
| 1500       | 1660 | 1615 | 1576 | 1556 | 1553 | 64  | 140 | 40 | 21 | 18 | 16             | 26             | 12 | 27 | M24 | 48 | 12   |
| 1600       | 1760 | 1715 | 1676 | 1656 | 1653 | 66  | 145 | 40 | 21 | 18 | 16             | 26             | 12 | 27 | M24 | 52 | 12   |
| 1700       | 1860 | 1815 | 1776 | 1756 | 1753 | 70  | 150 | 40 | 21 | 18 | 16             | 26             | 12 | 27 | M24 | 52 | 12   |
| 1800       | 1960 | 1915 | 1876 | 1856 | 1853 | 70  | 150 | 40 | 21 | 18 | 16             | 26             | 12 | 27 | M24 | 52 | 14   |
| 1900       | 2060 | 2015 | 1976 | 1956 | 1953 | 74  | 150 | 40 | 21 | 18 | 16             | 26             | 12 | 27 | M24 | 56 | 14   |
| 2000       | 2160 | 2115 | 2076 | 2056 | 2053 | 76  | 150 | 40 | 21 | 18 | 16             | 26             | 12 | 27 | M24 | 60 | 14   |
| 2100       | 2275 | 2225 | 2176 | 2156 | 2153 | 88  | 155 | 50 | 21 | 18 | 18             | 28             | 15 | 27 | M24 | 60 | 16   |
| 2200       | 2375 | 2325 | 2276 | 2256 | 2253 | 96  | 165 | 50 | 21 | 18 | 18             | 28             | 15 | 27 | M24 | 64 | 16   |
| 2300       | 2480 | 2430 | 2376 | 2356 | 2353 | 100 | 170 | 50 | 21 | 18 | 20             | 30             | 15 | 27 | M24 | 68 | 18   |
| 2400       | 2590 | 2535 | 2476 | 2456 | 2453 | 104 | 175 | 50 | 21 | 18 | 20             | 30             | 15 | 30 | M27 | 56 | 18   |
| 2500       | 2695 | 2640 | 2576 | 2556 | 2553 | 106 | 175 | 50 | 21 | 18 | 22             | 32             | 15 | 30 | M27 | 60 | 20   |
| 2600       | 2795 | 2740 | 2676 | 2656 | 2653 | 110 | 180 | 50 | 21 | 18 | 22             | 32             | 15 | 30 | M27 | 64 | 20   |
| PN=1.0MPa  |      |      |      |      |      |     |     |    |    |    |                |                |    |    |     |    |      |
| 300        | 440  | 400  | 365  | 355  | 352  | 30  | 85  | 25 | 17 | 14 | 12             | 22             | 12 | 23 | M20 | 16 | 4    |
| 350        | 490  | 450  | 415  | 405  | 402  | 32  | 90  | 25 | 17 | 14 | 12             | 22             | 12 | 23 | M20 | 16 | 4    |
| 400        | 540  | 500  | 465  | 455  | 452  | 34  | 95  | 25 | 17 | 14 | 12             | 22             | 12 | 23 | M20 | 20 | 4    |
| 450        | 590  | 550  | 515  | 505  | 502  | 34  | 95  | 25 | 17 | 14 | 12             | 22             | 12 | 23 | M20 | 20 | 6    |
| 500        | 640  | 600  | 565  | 555  | 552  | 38  | 100 | 25 | 17 | 14 | 12             | 22             | 12 | 23 | M20 | 24 | 6    |
| 550        | 690  | 650  | 615  | 605  | 602  | 40  | 100 | 25 | 17 | 14 | 12             | 22             | 12 | 23 | M20 | 24 | 6    |
| 600        | 740  | 700  | 665  | 655  | 652  | 44  | 105 | 25 | 17 | 14 | 12             | 22             | 12 | 23 | M20 | 28 | 6    |
| 650        | 790  | 750  | 715  | 705  | 702  | 46  | 105 | 25 | 17 | 14 | 12             | 22             | 12 | 23 | M20 | 28 | 8    |
| 700        | 840  | 800  | 765  | 755  | 752  | 50  | 105 | 25 | 17 | 14 | 12             | 22             | 12 | 23 | M20 | 32 | 8    |
| 800        | 940  | 900  | 865  | 855  | 852  | 50  | 105 | 25 | 17 | 14 | 12             | 22             | 12 | 23 | M20 | 32 | 8    |
| 900        | 1040 | 1000 | 965  | 955  | 952  | 54  | 110 | 25 | 17 | 14 | 12             | 22             | 12 | 23 | M20 | 36 | 10   |
| 1000       | 1140 | 1100 | 1065 | 1055 | 1052 | 56  | 110 | 25 | 17 | 16 | 12             | 22             | 12 | 23 | M20 | 40 | 10   |
| 1100       | 1260 | 1215 | 1176 | 1156 | 1153 | 56  | 120 | 35 | 21 | 18 | 16             | 26             | 12 | 27 | M24 | 32 | 12   |
| 1200       | 1360 | 1315 | 1276 | 1256 | 1253 | 56  | 125 | 35 | 21 | 18 | 16             | 26             | 12 | 27 | M24 | 36 | 12   |
| 1300       | 1460 | 1415 | 1376 | 1356 | 1353 | 60  | 130 | 35 | 21 | 18 | 16             | 26             | 12 | 27 | M24 | 40 | 12   |
| 1400       | 1560 | 1515 | 1476 | 1456 | 1453 | 62  | 140 | 40 | 21 | 18 | 16             | 26             | 12 | 27 | M24 | 44 | 12   |
| 1500       | 1660 | 1615 | 1576 | 1556 | 1553 | 64  | 140 | 40 | 21 | 18 | 16             | 26             | 12 | 27 | M24 | 48 | 12   |
| 1600       | 1760 | 1715 | 1676 | 1656 | 1653 | 70  | 145 | 40 | 21 | 18 | 16             | 26             | 12 | 27 | M24 | 52 | 12   |
| 1700       | 1870 | 1815 | 1776 | 1756 | 1753 | 76  | 150 | 40 | 21 | 18 | 18             | 26             | 12 | 30 | M27 | 56 | 12   |
| 1800       | 1970 | 1915 | 1876 | 1856 | 1853 | 80  | 150 | 40 | 21 | 18 | 18             | 26             | 12 | 30 | M27 | 56 | 14   |
| 1900       | 2095 | 2040 | 1998 | 1978 | 1973 | 86  | 155 | 40 | 21 | 18 | 20             | 32             | 15 | 30 | M27 | 56 | 16   |
| 2000       | 2195 | 2140 | 2098 | 2078 | 2075 | 94  | 165 | 40 | 21 | 18 | 20             | 32             | 15 | 30 | M27 | 60 | 16   |
| 2100       | 2295 | 2240 | 2198 | 2178 | 2175 | 102 | 190 | 50 | 21 | 18 | 20             | 32             | 15 | 30 | M27 | 60 | 16   |

长颈对焊法兰尺寸(JB/T4703-2000)

(mm)

| 公称直径<br>DN | 法兰尺寸 |      |      |      |      |     |     |    |    |    |                |                |    | 螺柱 |     | 对接筒体 |                        |
|------------|------|------|------|------|------|-----|-----|----|----|----|----------------|----------------|----|----|-----|------|------------------------|
|            | D    | D1   | D2   | D3   | D4   | δ   | H   | h  | a  | a1 | δ <sub>1</sub> | δ <sub>2</sub> | R  | d  | 规格  | 数量   | 最小厚度<br>δ <sub>0</sub> |
| PN=1.0MPa  |      |      |      |      |      |     |     |    |    |    |                |                |    |    |     |      |                        |
| 2200       | 2395 | 2340 | 2298 | 2278 | 2275 | 112 | 200 | 50 | 21 | 18 | 20             | 32             | 15 | 30 | M27 | 64   | 16                     |
| 2300       | 2515 | 2455 | 2398 | 2378 | 2375 | 120 | 210 | 50 | 21 | 18 | 22             | 34             | 15 | 33 | M30 | 60   | 18                     |
| 2400       | 2615 | 2555 | 2498 | 2478 | 2475 | 128 | 215 | 50 | 21 | 18 | 22             | 34             | 15 | 33 | M30 | 64   | 18                     |
| 2500       | 2720 | 2660 | 2598 | 2578 | 2575 | 130 | 215 | 50 | 21 | 18 | 24             | 36             | 15 | 33 | M30 | 68   | 20                     |
| 2600       | 2820 | 2760 | 2698 | 2678 | 2675 | 136 | 220 | 50 | 21 | 18 | 24             | 36             | 15 | 33 | M30 | 72   | 20                     |
| PN=1.6MPa  |      |      |      |      |      |     |     |    |    |    |                |                |    |    |     |      |                        |
| 300        | 440  | 400  | 365  | 355  | 352  | 30  | 85  | 25 | 17 | 14 | 12             | 22             | 12 | 23 | M20 | 16   | 6                      |
| 350        | 490  | 450  | 415  | 405  | 402  | 32  | 90  | 25 | 17 | 14 | 12             | 22             | 12 | 23 | M20 | 16   | 6                      |
| 400        | 540  | 500  | 465  | 455  | 452  | 34  | 95  | 25 | 17 | 14 | 12             | 22             | 12 | 23 | M20 | 20   | 6                      |
| 450        | 590  | 550  | 515  | 505  | 502  | 34  | 95  | 25 | 17 | 14 | 12             | 22             | 12 | 23 | M20 | 20   | 8                      |
| 500        | 640  | 600  | 565  | 555  | 552  | 38  | 100 | 25 | 17 | 14 | 12             | 22             | 12 | 23 | M20 | 24   | 8                      |
| 550        | 690  | 650  | 615  | 605  | 602  | 40  | 100 | 25 | 17 | 14 | 12             | 22             | 12 | 23 | M20 | 24   | 8                      |
| 600        | 740  | 700  | 665  | 655  | 652  | 44  | 105 | 25 | 17 | 14 | 12             | 22             | 12 | 23 | M20 | 28   | 10                     |
| 650        | 790  | 750  | 715  | 705  | 702  | 46  | 105 | 25 | 17 | 14 | 12             | 22             | 12 | 23 | M20 | 28   | 10                     |
| 700        | 860  | 815  | 776  | 766  | 763  | 46  | 115 | 35 | 21 | 18 | 16             | 26             | 12 | 27 | M24 | 24   | 10                     |
| 800        | 960  | 915  | 876  | 866  | 863  | 48  | 115 | 35 | 21 | 18 | 16             | 26             | 12 | 27 | M24 | 24   | 12                     |
| 900        | 1060 | 1015 | 976  | 966  | 963  | 52  | 115 | 35 | 21 | 18 | 16             | 26             | 12 | 27 | M24 | 28   | 12                     |
| 1000       | 1160 | 1115 | 1076 | 1066 | 1063 | 56  | 120 | 35 | 21 | 18 | 16             | 26             | 12 | 27 | M24 | 32   | 12                     |
| 1100       | 1260 | 1215 | 1176 | 1156 | 1153 | 62  | 125 | 40 | 21 | 18 | 16             | 26             | 12 | 27 | M24 | 36   | 14                     |
| 1200       | 1360 | 1315 | 1276 | 1256 | 1253 | 64  | 130 | 40 | 21 | 18 | 16             | 26             | 12 | 27 | M24 | 40   | 14                     |
| 1300       | 1460 | 1415 | 1376 | 1356 | 1353 | 74  | 140 | 40 | 21 | 18 | 16             | 26             | 12 | 27 | M24 | 44   | 14                     |
| 1400       | 1560 | 1515 | 1476 | 1456 | 1453 | 84  | 150 | 40 | 21 | 18 | 16             | 32             | 12 | 27 | M24 | 52   | 14                     |
| 1500       | 1695 | 1640 | 1598 | 1578 | 1575 | 84  | 155 | 42 | 21 | 18 | 20             | 32             | 15 | 30 | M27 | 48   | 16                     |
| 1600       | 1795 | 1740 | 1698 | 1678 | 1675 | 86  | 165 | 48 | 21 | 18 | 20             | 32             | 15 | 30 | M27 | 52   | 16                     |
| 1700       | 1895 | 1840 | 1798 | 1778 | 1775 | 86  | 165 | 48 | 21 | 18 | 22             | 32             | 15 | 30 | M27 | 56   | 18                     |
| 1800       | 1995 | 1940 | 1898 | 1878 | 1875 | 94  | 170 | 48 | 21 | 18 | 22             | 32             | 15 | 30 | M27 | 64   | 18                     |
| 1900       | 2115 | 2055 | 2010 | 1990 | 1987 | 94  | 185 | 56 | 26 | 23 | 24             | 36             | 15 | 33 | M30 | 56   | 20                     |
| 2000       | 2215 | 2155 | 2110 | 2090 | 2087 | 102 | 190 | 56 | 26 | 23 | 24             | 36             | 15 | 33 | M30 | 64   | 20                     |
| 2100       | 2340 | 2270 | 2210 | 2190 | 2187 | 116 | 215 | 68 | 26 | 23 | 26             | 38             | 15 | 39 | M36 | 56   | 22                     |
| 2200       | 2440 | 2370 | 2310 | 2290 | 2287 | 130 | 230 | 68 | 26 | 23 | 26             | 38             | 15 | 39 | M36 | 60   | 22                     |
| 2300       | 2540 | 2470 | 2410 | 2390 | 2387 | 142 | 245 | 68 | 26 | 23 | 26             | 38             | 15 | 39 | M36 | 64   | 22                     |
| 2400       | 2650 | 2575 | 2510 | 2490 | 2487 | 150 | 250 | 68 | 26 | 23 | 28             | 40             | 15 | 39 | M36 | 68   | 24                     |
| 2500       | 2775 | 2690 | 2610 | 2590 | 2587 | 168 | 275 | 74 | 26 | 23 | 28             | 40             | 15 | 45 | M42 | 60   | 24                     |
| 2600       | 2875 | 2790 | 2710 | 2690 | 2687 | 180 | 290 | 74 | 26 | 23 | 28             | 40             | 15 | 45 | M42 | 64   | 24                     |
| PN=2.5MPa  |      |      |      |      |      |     |     |    |    |    |                |                |    |    |     |      |                        |
| 300        | 440  | 400  | 365  | 355  | 352  | 32  | 85  | 25 | 17 | 14 | 12             | 22             | 12 | 23 | M20 | 16   | 6                      |
| 350        | 490  | 450  | 415  | 405  | 402  | 32  | 90  | 25 | 17 | 14 | 12             | 22             | 12 | 23 | M20 | 16   | 6                      |
| 400        | 540  | 500  | 465  | 455  | 452  | 36  | 95  | 25 | 17 | 14 | 12             | 22             | 12 | 23 | M20 | 20   | 8                      |

长颈对焊法兰尺寸(JB/T4703-2000)

(mm)

| 公称直径<br>DN | 法兰尺寸 |      |      |      |      |     |     |    |    |    |                |                |    |    | 对接筒体 |    |                        |
|------------|------|------|------|------|------|-----|-----|----|----|----|----------------|----------------|----|----|------|----|------------------------|
|            | D    | D1   | D2   | D3   | D4   | δ   | H   | h  | a  | a1 | δ <sub>1</sub> | δ <sub>2</sub> | R  | d  | 规格   | 数量 | 最小厚度<br>δ <sub>0</sub> |
| PN=2.5MPa  |      |      |      |      |      |     |     |    |    |    |                |                |    |    |      |    |                        |
| 450        | 590  | 550  | 515  | 505  | 502  | 36  | 95  | 25 | 17 | 14 | 12             | 22             | 12 | 23 | M20  | 20 | 8                      |
| 500        | 660  | 615  | 576  | 566  | 563  | 40  | 105 | 35 | 21 | 18 | 16             | 26             | 12 | 27 | M24  | 20 | 10                     |
| 550        | 710  | 665  | 626  | 616  | 613  | 40  | 105 | 35 | 21 | 18 | 16             | 26             | 12 | 27 | M24  | 20 | 10                     |
| 600        | 760  | 715  | 676  | 666  | 663  | 42  | 110 | 35 | 21 | 18 | 16             | 26             | 12 | 27 | M24  | 24 | 10                     |
| 650        | 810  | 765  | 726  | 716  | 713  | 46  | 115 | 35 | 21 | 18 | 16             | 26             | 12 | 27 | M24  | 24 | 10                     |
| 700        | 860  | 815  | 776  | 766  | 763  | 50  | 120 | 35 | 21 | 18 | 16             | 26             | 12 | 27 | M24  | 28 | 10                     |
| 800        | 960  | 915  | 876  | 866  | 863  | 58  | 125 | 35 | 21 | 18 | 16             | 26             | 12 | 27 | M24  | 32 | 12                     |
| 900        | 1095 | 1040 | 998  | 988  | 985  | 60  | 145 | 42 | 21 | 18 | 20             | 32             | 15 | 30 | M27  | 32 | 12                     |
| 1000       | 1195 | 1140 | 1098 | 1088 | 1085 | 68  | 155 | 42 | 21 | 18 | 20             | 32             | 15 | 30 | M27  | 36 | 14                     |
| 1100       | 1295 | 1240 | 1198 | 1178 | 1175 | 72  | 165 | 42 | 21 | 18 | 22             | 32             | 15 | 30 | M27  | 40 | 14                     |
| 1200       | 1395 | 1340 | 1298 | 1278 | 1275 | 84  | 185 | 48 | 21 | 18 | 22             | 32             | 15 | 30 | M27  | 48 | 14                     |
| 1300       | 1495 | 1440 | 1398 | 1378 | 1375 | 88  | 185 | 48 | 21 | 18 | 22             | 32             | 15 | 30 | M27  | 56 | 16                     |
| 1400       | 1595 | 1540 | 1498 | 1478 | 1475 | 100 | 195 | 48 | 21 | 18 | 22             | 32             | 15 | 30 | M27  | 60 | 16                     |
| 1500       | 1715 | 1655 | 1610 | 1590 | 1587 | 102 | 200 | 56 | 26 | 23 | 24             | 36             | 15 | 33 | M30  | 60 | 18                     |
| 1600       | 1815 | 1755 | 1710 | 1690 | 1687 | 112 | 210 | 56 | 26 | 23 | 24             | 36             | 15 | 33 | M30  | 64 | 20                     |
| 1700       | 1950 | 1880 | 1829 | 1809 | 1806 | 112 | 230 | 64 | 26 | 23 | 28             | 42             | 18 | 39 | M36  | 52 | 20                     |
| 1800       | 2050 | 1980 | 1929 | 1909 | 1906 | 122 | 235 | 64 | 26 | 23 | 28             | 42             | 18 | 39 | M36  | 56 | 22                     |
| 1900       | 2150 | 2080 | 2029 | 2009 | 2006 | 132 | 235 | 64 | 26 | 23 | 28             | 42             | 18 | 39 | M36  | 64 | 24                     |
| 2000       | 2250 | 2180 | 2129 | 2109 | 2106 | 144 | 245 | 64 | 26 | 23 | 28             | 42             | 18 | 39 | M36  | 68 | 24                     |
| 2100       | 2390 | 2305 | 2229 | 2209 | 2206 | 158 | 270 | 72 | 26 | 23 | 32             | 48             | 18 | 45 | M42  | 64 | 26                     |
| 2200       | 2490 | 2405 | 2329 | 2309 | 2306 | 172 | 295 | 80 | 26 | 23 | 32             | 48             | 18 | 45 | M42  | 78 | 26                     |
| 2300       | 2590 | 2505 | 2429 | 2409 | 2406 | 182 | 315 | 86 | 26 | 23 | 32             | 48             | 18 | 45 | M42  | 72 | 26                     |
| 2400       | 2720 | 2620 | 2529 | 2509 | 2506 | 190 | 320 | 86 | 26 | 23 | 34             | 50             | 18 | 52 | M48  | 60 | 28                     |
| 2500       | 2820 | 2720 | 2629 | 2609 | 2606 | 200 | 335 | 90 | 26 | 23 | 34             | 50             | 18 | 52 | M48  | 64 | 28                     |
| 2600       | 2920 | 2820 | 2729 | 2709 | 2706 | 210 | 355 | 96 | 26 | 23 | 34             | 50             | 18 | 52 | M48  | 68 | 28                     |
| PN=4.0MPa  |      |      |      |      |      |     |     |    |    |    |                |                |    |    |      |    |                        |
| 300        | 460  | 415  | 376  | 366  | 363  | 40  | 105 | 35 | 21 | 18 | 16             | 26             | 12 | 27 | M24  | 16 | 8                      |
| 350        | 510  | 465  | 426  | 416  | 413  | 42  | 110 | 35 | 21 | 18 | 16             | 26             | 12 | 27 | M24  | 16 | 8                      |
| 400        | 560  | 515  | 476  | 466  | 463  | 42  | 110 | 35 | 21 | 18 | 16             | 26             | 12 | 27 | M24  | 20 | 12                     |
| 450        | 610  | 565  | 526  | 516  | 513  | 46  | 110 | 35 | 21 | 18 | 16             | 26             | 12 | 27 | M24  | 20 | 12                     |
| 500        | 660  | 615  | 576  | 566  | 563  | 46  | 110 | 35 | 21 | 18 | 16             | 26             | 12 | 27 | M24  | 24 | 12                     |
| 550        | 710  | 665  | 626  | 616  | 613  | 52  | 115 | 35 | 21 | 18 | 16             | 26             | 12 | 27 | M24  | 28 | 12                     |
| 600        | 760  | 715  | 676  | 666  | 663  | 58  | 120 | 35 | 21 | 18 | 16             | 26             | 12 | 27 | M24  | 32 | 12                     |
| 650        | 845  | 790  | 748  | 738  | 735  | 60  | 135 | 42 | 21 | 18 | 20             | 32             | 15 | 30 | M27  | 28 | 14                     |
| 700        | 895  | 840  | 798  | 788  | 785  | 64  | 140 | 42 | 21 | 18 | 20             | 32             | 15 | 30 | M27  | 32 | 14                     |
| 800        | 995  | 940  | 898  | 888  | 885  | 70  | 150 | 42 | 21 | 18 | 22             | 32             | 15 | 30 | M27  | 40 | 16                     |
| 900        | 1115 | 1055 | 1010 | 1000 | 997  | 86  | 170 | 42 | 26 | 23 | 24             | 36             | 15 | 33 | M30  | 40 | 16                     |

长颈对焊法兰尺寸(JB/T4703-2000)

(mm)

| 公称直径<br>DN | 法兰尺寸 |      |      |      |      |          |     |    |    |    |            |            |     |    | 对接筒体 |    |                    |
|------------|------|------|------|------|------|----------|-----|----|----|----|------------|------------|-----|----|------|----|--------------------|
|            | D    | D1   | D2   | D3   | D4   | $\delta$ | H   | h  | a  | a1 | $\delta_1$ | $\delta_2$ | R   | d  | 规格   | 数量 | 最小厚度<br>$\delta_0$ |
| PN=4.0MPa  |      |      |      |      |      |          |     |    |    |    |            |            |     |    |      |    |                    |
| 1000       | 1215 | 1155 | 1110 | 1100 | 1097 | 100      | 175 | 42 | 26 | 23 | 24         | 36         | 15  | 33 | M30  | 48 | 18                 |
| 1100       | 1350 | 1280 | 1229 | 1209 | 1206 | 104      | 195 | 48 | 26 | 23 | 28         | 42         | 18  | 39 | M36  | 40 | 20                 |
| 1200       | 1450 | 1380 | 1329 | 1309 | 1306 | 120      | 205 | 48 | 26 | 23 | 28         | 42         | 18  | 39 | M36  | 44 | 22                 |
| 1300       | 1550 | 1480 | 1429 | 1409 | 1406 | 126      | 220 | 56 | 26 | 23 | 28         | 42         | 18  | 39 | M36  | 52 | 22                 |
| 1400       | 1650 | 1580 | 1529 | 1509 | 1506 | 130      | 235 | 64 | 26 | 23 | 28         | 42         | 18  | 39 | M36  | 60 | 22                 |
| 1500       | 1750 | 1680 | 1629 | 1609 | 1606 | 144      | 250 | 64 | 26 | 23 | 28         | 42         | 18  | 39 | M36  | 64 | 22                 |
| 1600       | 1850 | 1780 | 1729 | 1709 | 1706 | 158      | 265 | 64 | 26 | 23 | 28         | 42         | 18  | 39 | M36  | 68 | 22                 |
| 1700       | 1990 | 1905 | 1829 | 1809 | 1806 | 176      | 290 | 74 | 26 | 23 | 32         | 48         | 18  | 45 | M42  | 60 | 26                 |
| 1800       | 2110 | 2015 | 1929 | 1909 | 1906 | 196      | 310 | 74 | 26 | 23 | 32         | 48         | 18  | 52 | M48  | 56 | 26                 |
| 1900       | 2215 | 2120 | 2029 | 2009 | 2006 | 210      | 325 | 74 | 26 | 23 | 34         | 50         | 18  | 52 | M48  | 64 | 28                 |
| 2000       | 2315 | 2220 | 2109 | 2129 | 2106 | 222      | 340 | 74 | 26 | 23 | 34         | 50         | 18  | 52 | M48  | 68 | 28                 |
| PN=6.4MPa  |      |      |      |      |      |          |     |    |    |    |            |            |     |    |      |    |                    |
| 300        | 460  | 415  | 376  | 366  | 363  | 46       | 110 | 35 | 21 | 18 | 16         | 26         | 12  | 27 | M24  | 16 | 8                  |
| 350        | 510  | 465  | 426  | 416  | 413  | 48       | 115 | 35 | 21 | 18 | 16         | 26         | 12  | 27 | M24  | 20 | 8                  |
| 400        | 560  | 515  | 476  | 466  | 463  | 56       | 120 | 35 | 21 | 18 | 16         | 26         | 12  | 27 | M24  | 24 | 12                 |
| 450        | 645  | 590  | 548  | 538  | 535  | 60       | 130 | 36 | 21 | 18 | 20         | 32         | 15  | 30 | M27  | 24 | 12                 |
| 500        | 695  | 640  | 598  | 588  | 585  | 68       | 140 | 36 | 21 | 18 | 20         | 32         | 15  | 30 | M27  | 28 | 12                 |
| 550        | 745  | 690  | 648  | 638  | 635  | 78       | 150 | 36 | 21 | 18 | 20         | 32         | 15  | 30 | M27  | 32 | 12                 |
| 600        | 815  | 755  | 710  | 700  | 697  | 82       | 160 | 42 | 26 | 23 | 22         | 36         | 15  | 33 | M30  | 32 | 14                 |
| 650        | 865  | 825  | 760  | 750  | 747  | 92       | 165 | 42 | 26 | 23 | 22         | 36         | 15  | 33 | M30  | 36 | 16                 |
| 700        | 950  | 805  | 829  | 819  | 816  | 92       | 185 | 48 | 26 | 23 | 26         | 42         | 18/ | 39 | M36  | 32 | 18                 |
| 800        | 1050 | 980  | 929  | 919  | 916  | 112      | 200 | 48 | 26 | 23 | 26         | 42         | 18  | 39 | M36  | 36 | 18                 |
| 900        | 1195 | 1110 | 1029 | 1019 | 1016 | 132      | 230 | 58 | 26 | 23 | 30         | 48         | 18  | 45 | M42  | 36 | 22                 |
| 1000       | 1295 | 1210 | 1129 | 1119 | 1116 | 146      | 245 | 58 | 26 | 23 | 32         | 50         | 18  | 45 | M42  | 40 | 24                 |
| 1100       | 1420 | 1325 | 1229 | 1219 | 1216 | 160      | 265 | 66 | 26 | 23 | 34         | 52         | 18  | 52 | M48  | 40 | 26                 |
| 1200       | 1520 | 1425 | 1329 | 1319 | 1316 | 176      | 275 | 66 | 26 | 23 | 34         | 52         | 18  | 52 | M48  | 44 | 28                 |